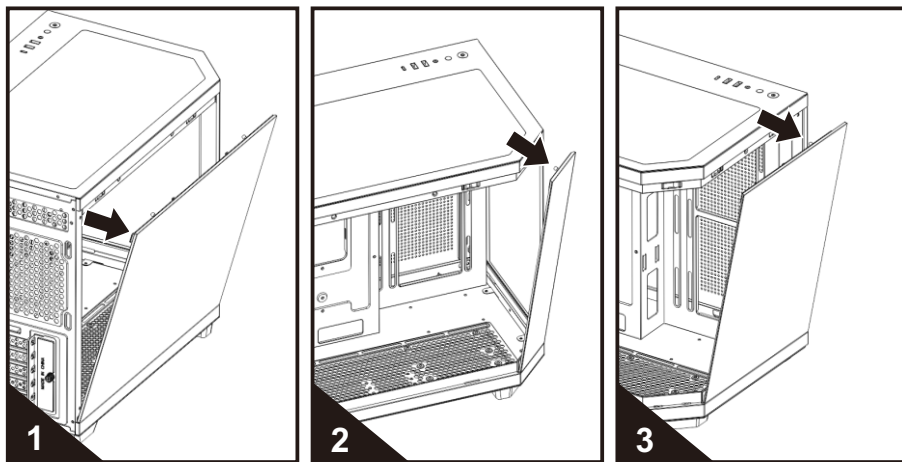




1 Quick disassembly of left tempered glass side panel, left-front tempered glass and front tempered glass



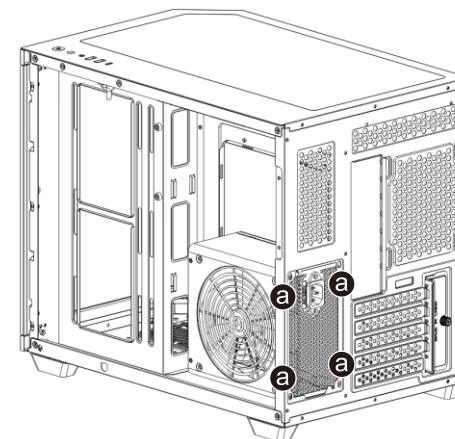
The left tempered glass side panel can be quickly disassembled by pushing it outward from the upper left corner according to the arrow direction as shown in the illustration

The left-front tempered glass side panel can be quickly disassembled by pushing it outward from the upper left corner according to the arrow direction as shown in the illustration

The front tempered glass panel can be quickly disassembled by pushing it outward from the upper left corner according to the arrow direction as shown in the illustration

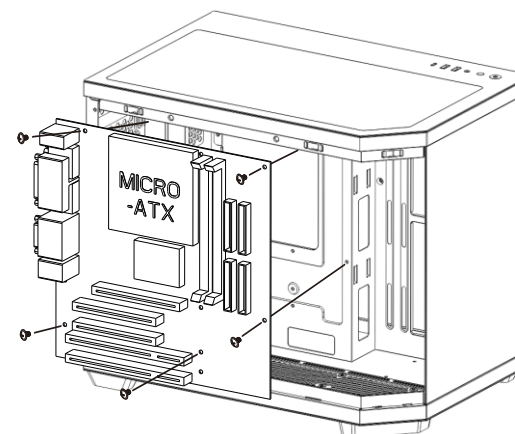
2 PSU installation (support standard ATX PSU)

Install PSU in the positions as shown in the illustration, then fix it by 4 screws at "a" positions



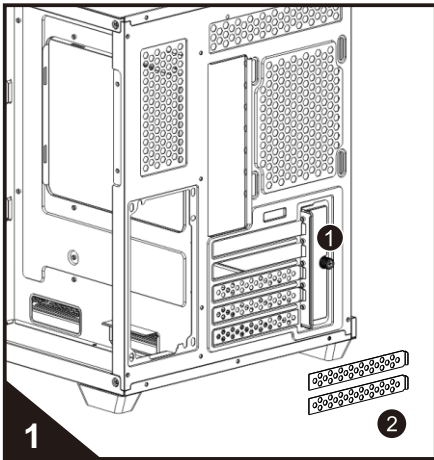
3 M/B installation (★★★ Support M/B back-plugging)

Put M/B in the case and align the screw holes, then fix M/B by screws as shown in the following illustration (this case support micro ATX and ITX M/B) (different M/B has different installation characteristics, please refer to the user manual of your M/B before installation)

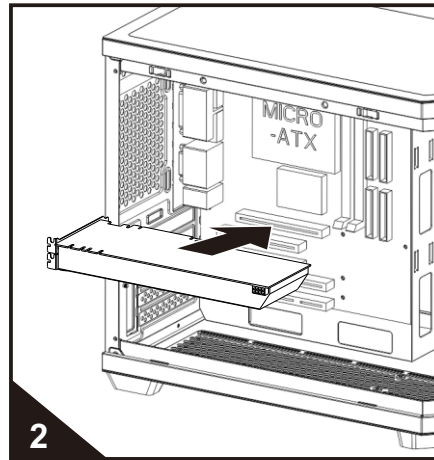


4 VGA card installation

- ① Unscrew the screws of the fastening bar of the PCI slot covers, remove the fastening bar, then break off PCI slot covers;
- ② Insert VGA card into the slot of M/B according to the arrow direction; Fix VGA card by screws

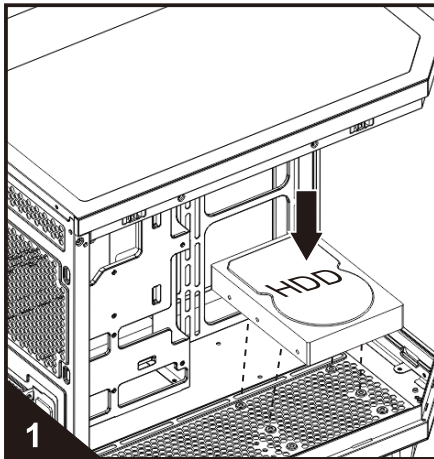


Unscrew the screws of the fastening bar of the PCI slot covers, remove the fastening bar, then break off PCI slot covers

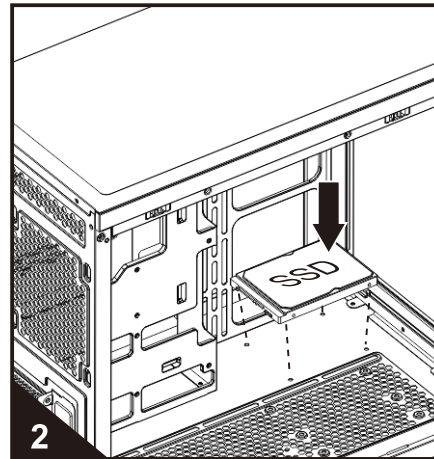


Insert VGA card into the slot of M/B according to the arrow direction

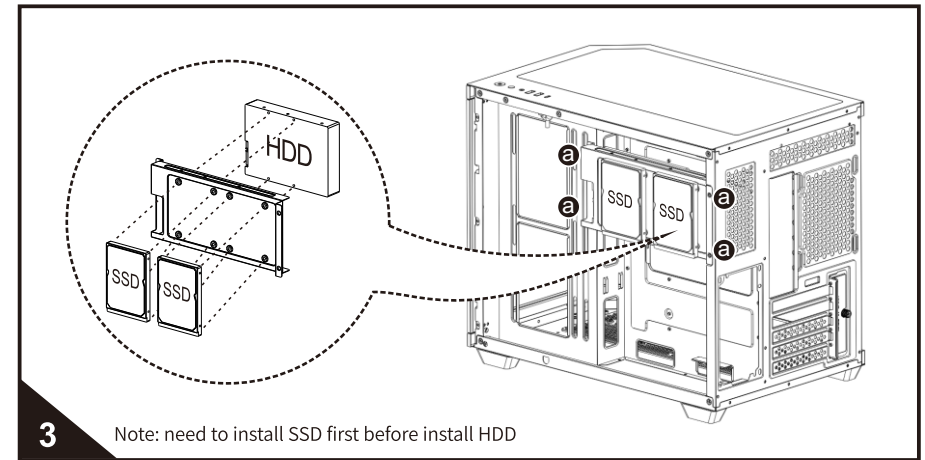
5 HDD / SSD installation (Support: HDD*2+SSD*2; OR HDD*1+SSD*3)



Put 3.5" HDD*1 on the bottom plate, align screw holes then fix it from the bottom by screws



Or, put 2.5" SSD*1 on the bottom plate, align screw holes, then fix it from the bottom by screws



- Note: need to install SSD first before install HDD
- ① Knock down the HDD/SSD bracket;
 - ② Install 2.5" SSD*2 on the bracket as shown in the illustration;
 - ③ Then install 3.5" HDD*1 on the other side of the bracket as shown in the illustration;
 - ④ Re-install the HDD/SSD bracket in the slot on the back of M/B, fix it by screws at "a" position

6 Cooling device compatibility

Top plate: 3*12cm fan or 1*360mm radiator
Rear plate: 1*12cm fan or 1*240mm radiator
Bottom plate: 3*12cm fan or 1*240mm radiator
M/B bracket: 2*12cm fan or 2*14cm fan or 1*240mm radiator or 1*280mm radiator