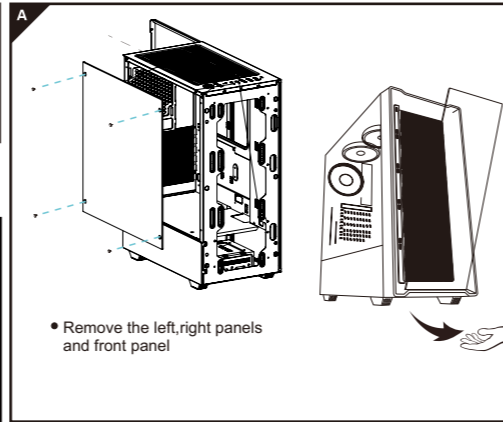
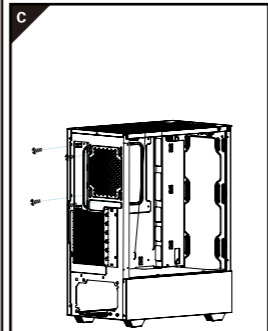


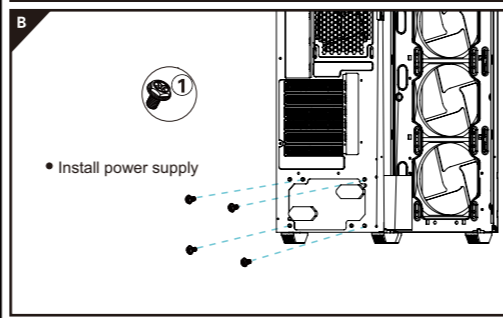
- A: Remove the left, right panels and front panel
- B: Installation of the power supply (PSU)
- C: Installation of fan(s) and/or radiator(s)
- D: Installation of fan(s) and/or radiator(s)
- E: Installation of the Motherboard
- F: Installation of 3.5"HDD and 2.5"SSD
- G: Installing PCI/PCI-e card(s) and removing the expansion slot covers
- H: Connecting and controlling of the Two Fans



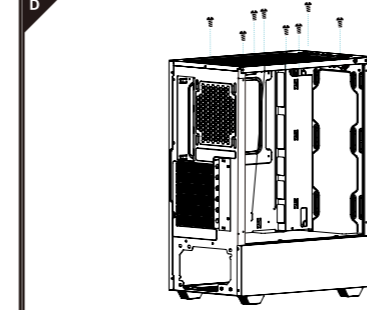
- Remove the left, right panels and front panel



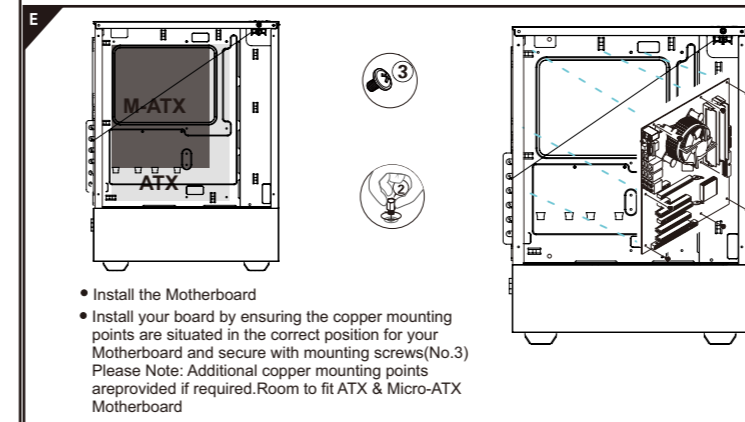
- Install rear fans



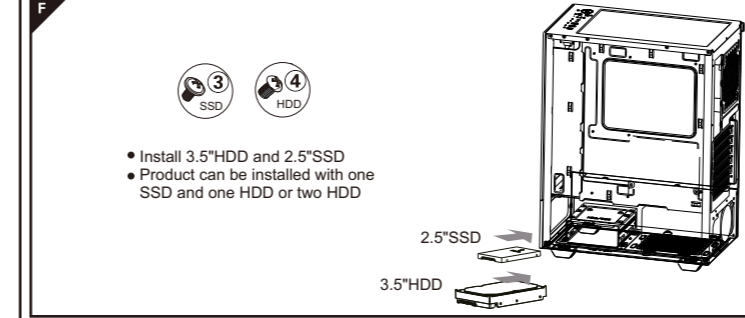
- Install power supply



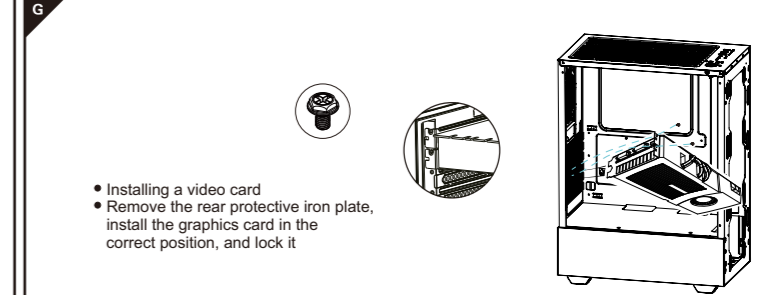
- Install front panel fans. Front panel fans can be mounted on the outside, inside, or stuck to the front panel
- Install top fans



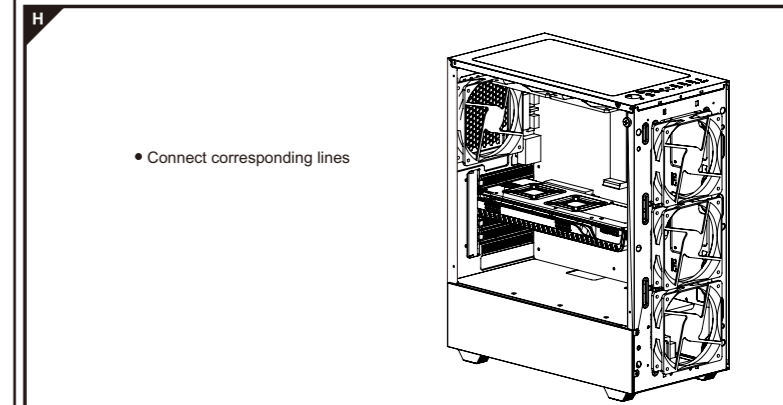
- Install the Motherboard
- Install your board by ensuring the copper mounting points are situated in the correct position for your Motherboard and secure with mounting screws (No.3). Please Note: Additional copper mounting points are provided if required. Room to fit ATX & Micro-ATX Motherboard



- Install 3.5"HDD and 2.5"SSD
- Product can be installed with one SSD and one HDD or two HDD



- Installing a video card
- Remove the rear protective iron plate, install the graphics card in the correct position, and lock it



- Connect corresponding lines