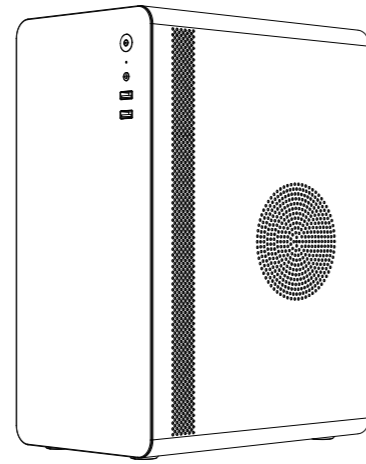


Solarmax

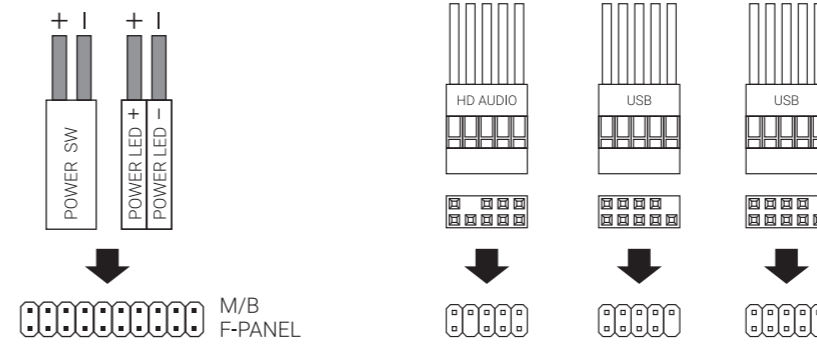
USER MANUAL CM-2808



Front I/O Cable Connection

Front I/O Connectors
(Please refer to the motherboard's manual for further instructions).

Note : Specifications may vary depending on your region.
Contact your local retailer for more information.

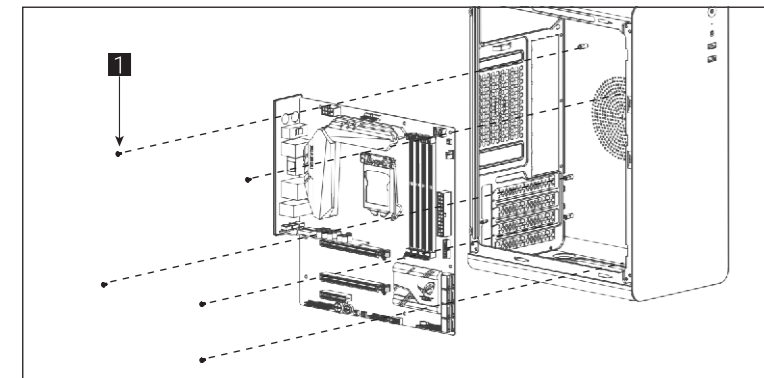


Accessory Bag Contents

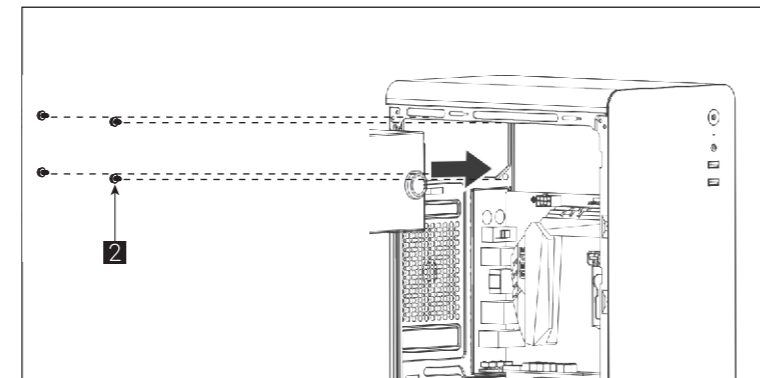
- 1 x 18 | SSD Screw MB Screw
- 2 x 6 | PSU Screw PCI Screw
- 3 x 8 | HDD Screw
- 4 x 1 | MB Standoff
- 5 x 5 | Cable Tie

How to Install

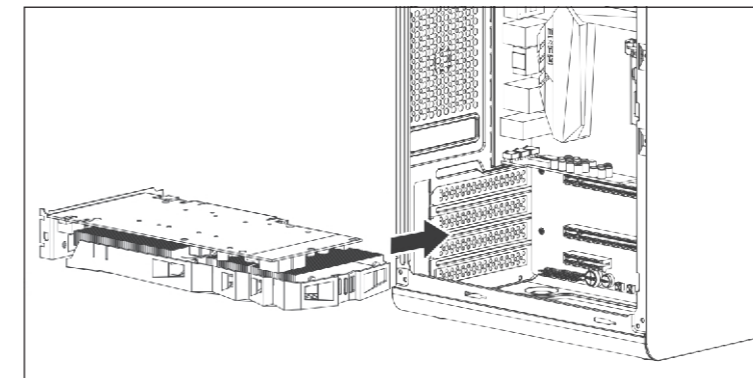
(1) Install Motherboard



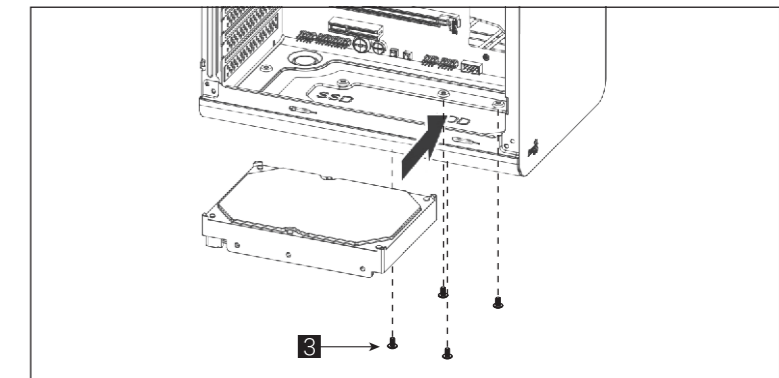
(2) Install PSU



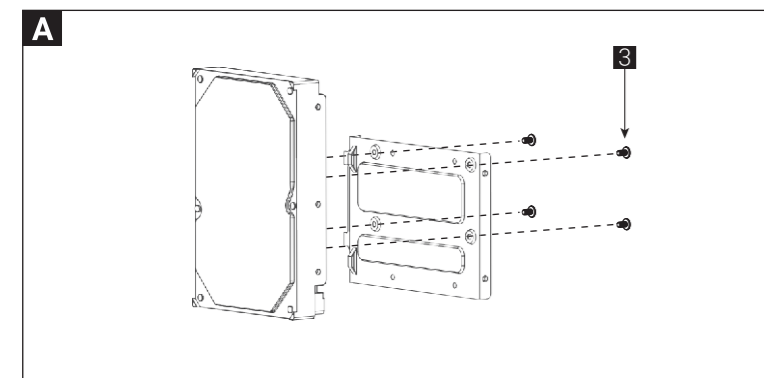
(3) Install Add-on Card



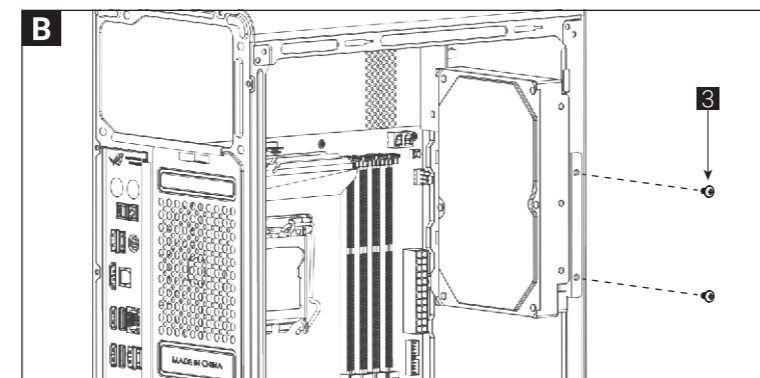
(4a) Install 3.5" HDD x1



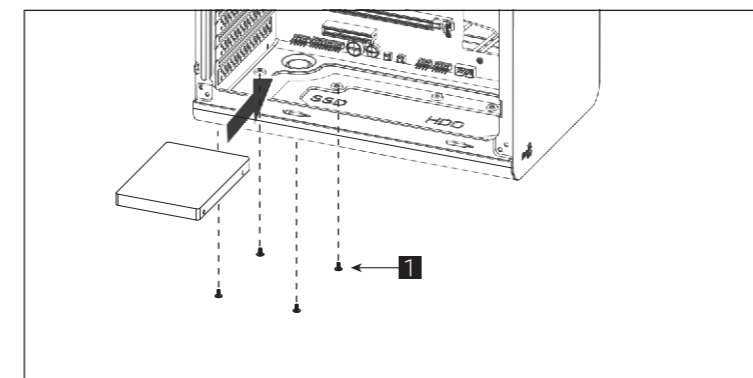
(4b) Install 3.5" HDD x1



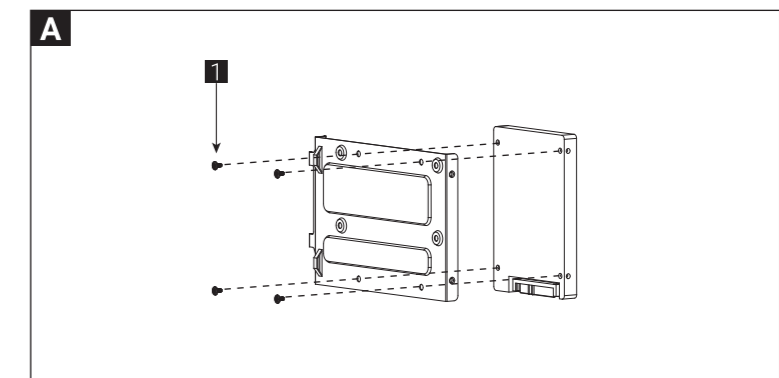
(5a) Install 2.5" SSD x1



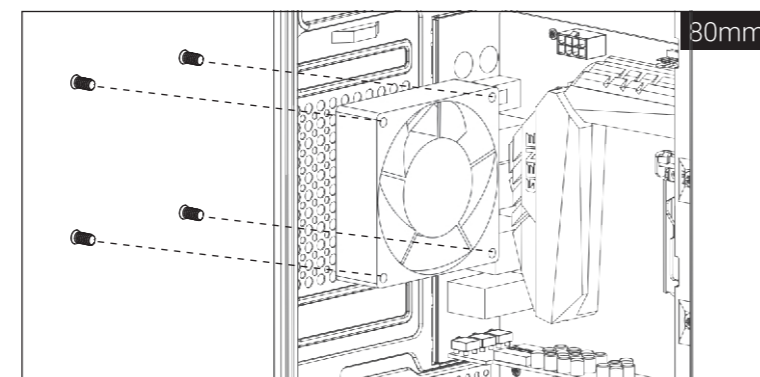
(5a) Install 2.5" SSD x1



(5b) Install 2.5" SSD x1



(6) Install Rear Fan



(7) I/O Panel

